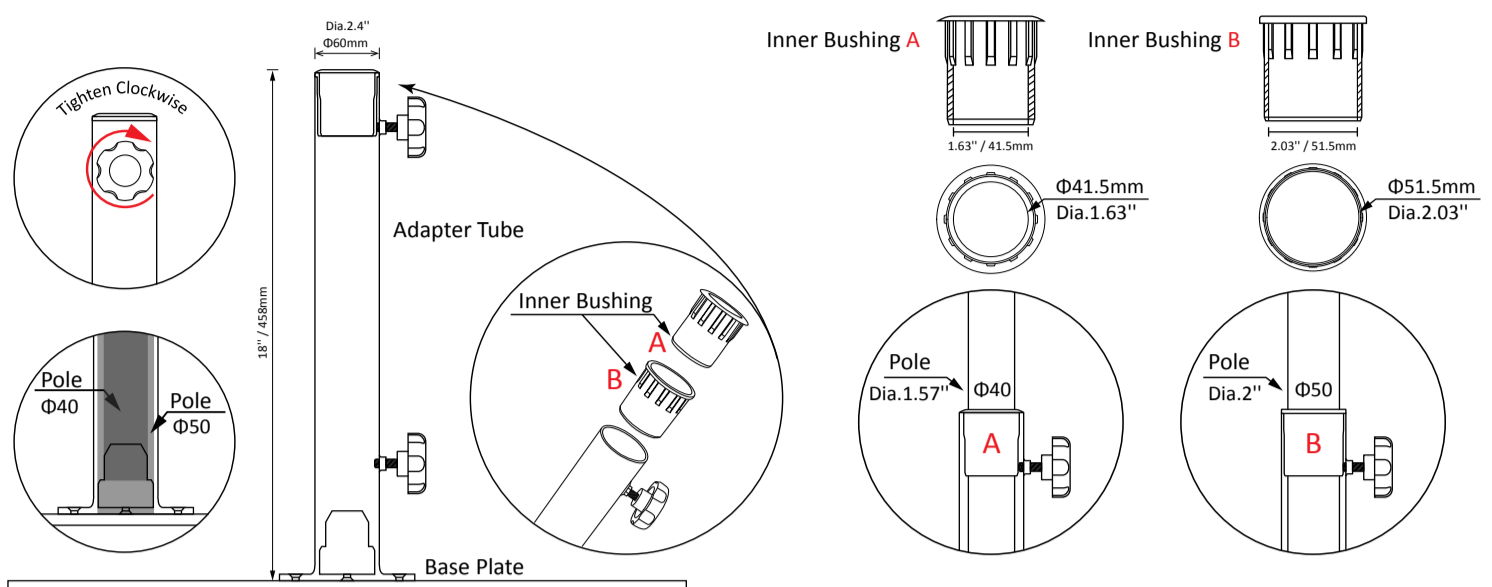


OVERVIEW

We design the below various umbrella bases to meet your different using condition. All these umbrella bases fit to any size of our " Santorini Center Pole Premium" series and matching most umbrellas in the market.

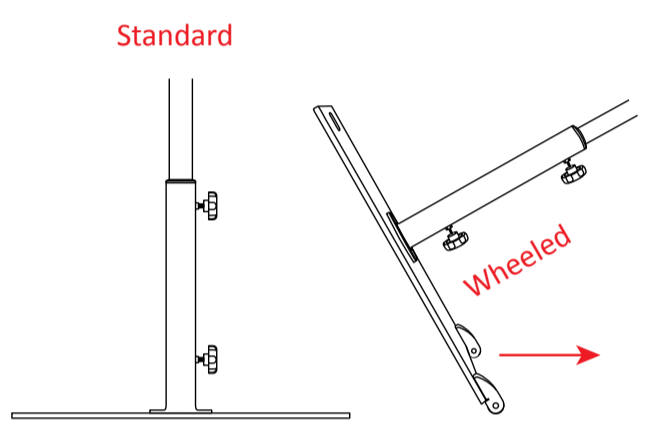


TIP: Base for Umbrella 10FT and 11.5FT, Please take out the Inner Bushing A, other sizes NO action requested

REMOVABLE BASE

Our removable steel bases are used for even ground, black or silver powder coating, with wheel or without, hold the umbrella by itself weight, all in 1 piece, no assembly requested. These bases are popular for event, trade shows, brand launch etc, since of the removal function. Recommends to use low to medium windy exposure.

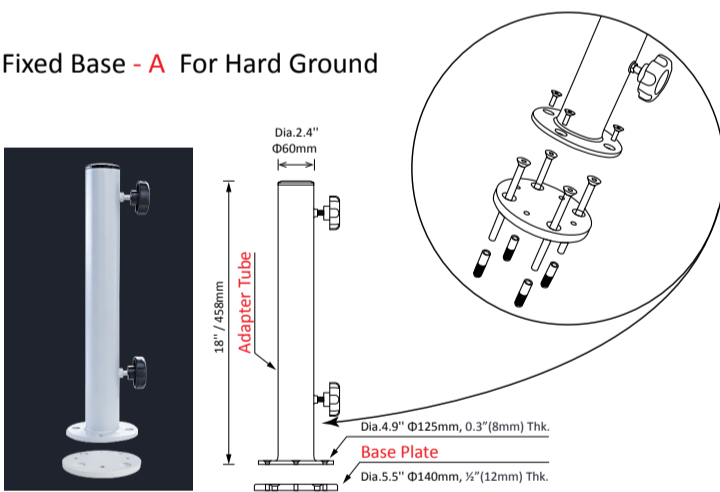
Size (Adapter Tube)	H 18" (458mm) Dia.2.4" (60mm)
Size (Base Plate)	24"x24" (60x60mm) / 27"x27" (68x68mm), Both with 1/2"(12mm) thickness
Color	Black / Silver
Model	Standard / Wheeled
Weight (Adapter Tube + Base Plate)	77lbs (35kgs) / 99lbs(45kgs)
Material	Steel With Powder Coating
Applicable Pole Diameter	Dia.1.5"(Φ38mm) Dia.1.57"(Φ40mm) Dia.2"(Φ50mm)
Suitable Range	Our "Santorini Center Pole Premium" Series



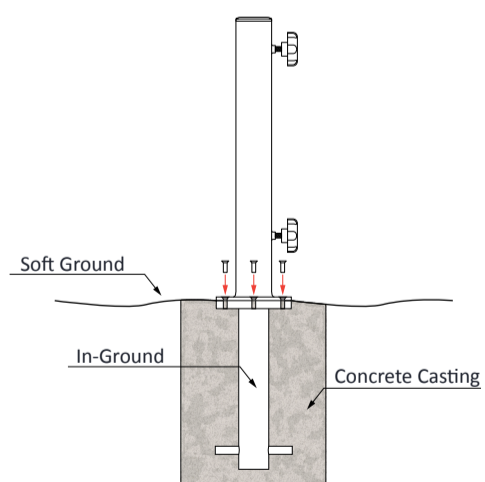
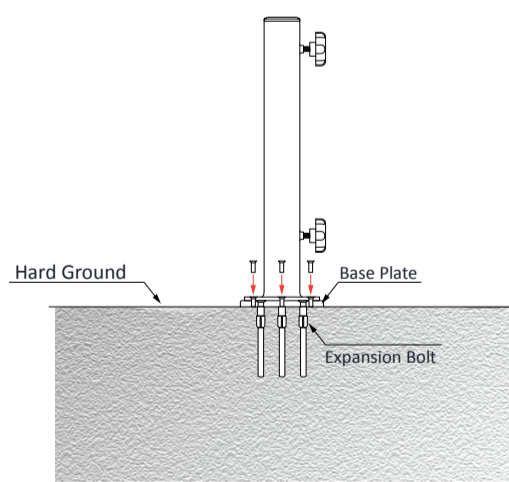
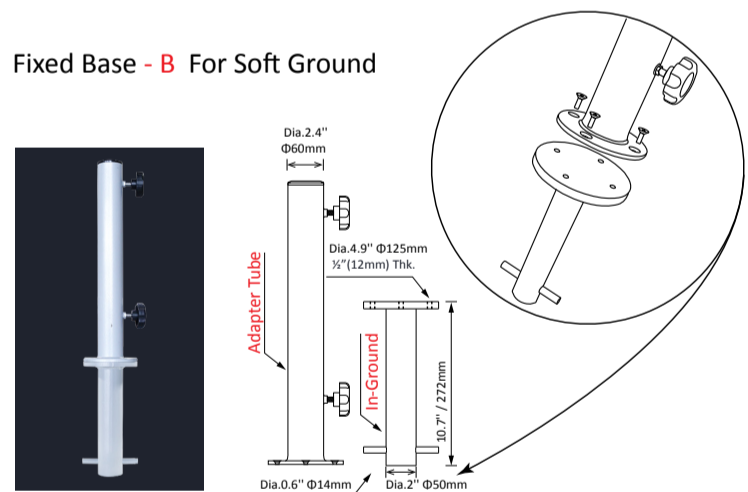
FIXED BASE

If you plan to setup the umbrella on a permanent location, we strongly recommend using our fixed base. We have two fixed bases for you to choose from. One is suitable for hard ground like concrete and the other is suitable for soft ground like lawn.

Fixed Base - A For Hard Ground



Fixed Base - B For Soft Ground



Fixed Base - A

Size (Adapter Tube)	H 18" (458mm) Dia.2.4" (60mm)
Size (Base Plate)	Dia. 5.5" (140mm), 1/2"(12mm) Thk.
Color	Black / Silver
Weight (Adapter Tube + Base Plate)	5.66lbs (2.75kgs)
Material	Steel With Powder Coating
Applicable Pole Diameter	Dia.1.5"(Φ38mm) Dia.1.57"(Φ40mm) Dia.2"(Φ50mm)
Suitable Range	Our "Santorini Center Pole Premium" Series

Fixed Base - B

Size (Adapter Tube)	H 18" (458mm) Dia.2.4" (60mm)
Size (In-Ground)	H 10.7" (272mm), Dia. 0.6" (50mm) Dia. 4.9" (125mm) 1/2"(12mm) Thk.
Color	Black / Silver
Weight (Adapter Tube + In-Ground)	12.56lbs (5.7kgs)
Material	Steel With Powder Coating
Applicable Pole Diameter	Dia.1.5"(Φ38mm) Dia.1.57"(Φ40mm) Dia.2"(Φ50mm)
Suitable Range	Our "Santorini Center Pole Premium" Series